

FIP12WP 2-Line IP Phone with Big Button

FIP12WP is a 2-Line IP phone which has big buttons and is specially designed for people with poor eyesight, such as seniors. It is an ideal option for hospitals, elderly care homes and retirement centers. The built-in internal antenna makes users connect the network much easier and more quickly, user can not only connect FIP12WP to the network by using an ethernet cable, but also can connect FIP12WP to the wireless network.



Key Features and Benefits

Simple and Easy to Use UI Design

FIP12WP comes with a simple design yet ergonomic design that is easy to use. Prompts guide you through a simple installation process making it easy to start a voice collaboration.

Flexible Deployment

Whether in your office or conference room, say goodbye to the complex deployments, connect with people the way you like. FIP12WP supports dual 10/100 Mbps ports, PoE and a built-in 2.4G Wi-Fi connection.

HD Voice Quality

FIP12WP provides excellent voice quality. We have created high definition sound quality solutions for handset scenarios, even in a noisy environment.

High Security and Compatibility

All conversations are well protected. We make sure of security algorithms such as configuration files utilising AES, SRTP and TLS call encryption. The FIP12WP IP phone is widely compatible with SIP-based PBX platforms such as Asterisk, Broadsoft and 3CX.

- 192 x 64px backlit LCD display
- 2 SIP accounts
- 4 DSS keys
- HD Voice
- Opus
- 2 x 10/100 Mbps Ethernet port
- PoE
- Stand with 3 adjustable angles
- 2.4G Wi-Fi
- Wall mountable

Audio Features

- > HD voice: HD handset
- > Wideband Codec: G.722, Opus, AMR-WB(Optional), G.711WB(Optional)
- > Narrowband Codec: G.711(A/u), iLBC, G.729A/B, G.723.1, G.726, AMR-NB(Optional)
- > DTMF: In-band, RFC 2833 and SIP info
- > Full-duplex hands-free speakerphone
- > VAD, CNG, AEC, PLC, AJB, AGC

Phone Features

- > 2 SIP accounts
- > Call hold, mute, DND, redial, auto answer
- > One-touch speed dial, hotline, SIP message
- > Call forward, call waiting, call transfer (attended/blind)
- > Paging, intercom
- > 3-Way conferencing
- > Direct IP call without SIP proxy
- > Set date time manually or automatically
- > Dial rule
- > IP conflict detection
- > 2.4 GHz Wi-Fi
- > Up to 4 DSS keys

Directory

- > Phone book (2000 records)
- > Black list
- > XML/LDAP remote phonebook
- > Phonebook search/import/export
- > Call history: dialed/received/missed (60 records)

IP-PBX Features

- > Anonymous call, anonymous call rejection
- > Voice mail, call park, call pickup
- > Message waiting indicator (MWI)

Feature Keys

- > 2 Line keys
- > 4 Features Keys: home, hold, redial, hands-free speakerphone
- > 4 Soft Keys
- > 2 Navigate Keys
- > Volume+/-

Display and Indicator

- > 192 x 64px backlit B/W LCD screen
- > 16 bit depth color
- > LED for call and message waiting indication
- > Intuitive user interface with icons and soft keys
- > Multilingual user interface
- > Caller ID with name and number
- > Power saving feature

Interface

- > 2x RJ45 Ports (Ethernet 10/100 Base-T)
- > Support PoE
- > 1 x RJ9 Handset port
- > 1 x Power adapter

Management

- > Configuration: browser/phone/auto-provision
- > TFTP/HTTP/HTTPS for Auto Provisioning
- > TR069 (TR104/TR106)
- > Reset to factory, reboot
- > Package tracing export, system log
- > DNS/DNS SRV (RFC 1706, RFC 2782)
- > NAPTR for SIP URI lookup (RFC 2915)
- > Cloud device management: FCMS
- > DHCP server and DHCP client

Others

- > Color: White
- > Stand with 3 adjustable angles
- > Wall mountable
- > AC/DC Adapter
 - AC Input: 100~240V, 50~60Hz
 - DC Output: 5V, 1A
- > Power consumption (PSU): 1.5-3.5W
- > Power consumption (PoE): 1.9-4.5W
- > Dimension (W x H x D x T) :
 - 190mm x 188.5mm x 173mm x 41.5mm
- > Relative humidity: 10%~90% (No Condensing)
- > Storage temperature: -25~ 65°C
- > Operation temperature: 0~45°C

Network and Security

- > SIP v1 (RFC2543), v2 (RFC3261)
- > Call server redundancy supported
- > NAT Traversal By STUN
- > Proxy mode and peer-to-peer SIP link mode
- > IP assignment: Static IP and DHCP
- > HTTP/HTTPS web server
- > Time and date synchronization using SNTP
- > SDP (RFC 2327) , UDP/TCP
- > Mutil-VLAN, DSCP and 802.1p QoS
- > SRTP
- > TLS
- > HTTPS certificate manager
- > AES encryption for configuration file
- > Digest authentication
- > VPN: PPTP, L2TP, OpenVPN
- > IPv4 /IPv6 ,Dual stack IPv4/IPv6
- > RTP/RTCP (RFC 1889, RFC 1890)
- > ARP/RARP (RFC 826/903)
- > IEEE802.1Q VLAN/802.1p/DSCP
- > SNMPv2
- > LLDP/CDP/DHCP VLAN

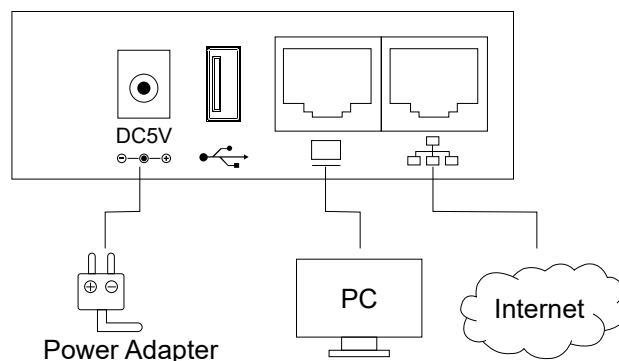
Package Contents

- > Flyingvoice FIP12WP IP Phone
- Handset with handset cord
- Ethernet cable
- Stand
- Quick start guide
- Power adapter (Optional)
- > Qty/CTN: 10 PCS
- > N.W/CTN: 9.18 kg
- > G.W/CTN: 10.7 kg
- > Giftbox size: 270mm x 195mm x 78mm
- > Carton meas: 430mm x 430mm x 290mm

Certified by



Compatible with



About Flyingvoice

Flyingvoice is a leading manufacturer of VoIP phones, ATA& gateways and VoIP routers. These products are preferred globally by international carriers, ITSP's, ISP's, corporate companies, and home users alike.

Driven by a need for ongoing innovation within VoWLAN technologies, Flyingvoice is committed to manufacturing products that allow for ease-of-installation scenarios within an enterprise network. Our people continuously improve existing products as well as expand upon product applications tailored to clients' requirements. These improvements ensure that your experience provides for secure, effective and efficient collaboration – anytime & anywhere.

Copyright

Copyright © Flyingvoice Network Technology Co., Ltd. All rights reserved. No parts of this publication may be reproduced or transmitted in any form or by any means, electronic or mechanical, photocopying, recording, or otherwise, for any purpose, without the express written permission of Flyingvoice Network Technology Co., Ltd.

Technical Support

Visit www.flyingvoice.com for product documents and FAQ, or contact Flyingvoice by email at support@flyingvoice.com. We'll get you the help you need.



Dream Weaver Group
Website: www.dreamweaver.co.za
35 Waterford Drive, Unit 15 Waterford Office Park,
Maroeladal, 2191, Gauteng, South Africa
Copyright© Dream Weaver Group. All Rights Reserved

